

Ø 2 mm - 23 mm

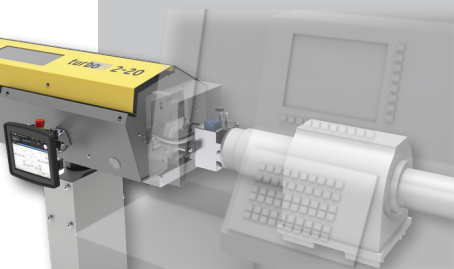
Bar feeders



Portable control panel with integrated magnetic holders for flexible attachment in the operator's working environment.



The continuously oil-flooded guide channel guarantees the highest level of guide properties seamlessly right up to the spindle.



The steady rest is connected to the lathe's spindle and supports the guidance of the material bar as much as possible.

turbo RS 2-20

The bar feeder for bar diameters ranging from 2 mm up to 23 mm

The turbo RS 2-20 guides material bars seamlessly right up to the lathe's spindle with a movable guide module. The bar feeder operates on the two-step feed principle, known from the turbo-series. By pivoting the pusher, this allows for a very compact and thus space-saving design. Its working area are sliding headstock lathes with a nominal diameter up to 23 mm which are intended for the use of small and average diameter ranges.

Optimal material bar guidance right up to the lathe's spindle.

- The guide channel is directly connected to the lathe's spindle through a movable guide module. The continuously oil flooded construction guarantees the optimal guidance of the material bar right up to the spindle.
- Great performance during the turning process through the highest guidance quality with minimal vibration and noise.

Easy and convenient - the ERGOlogic control ...

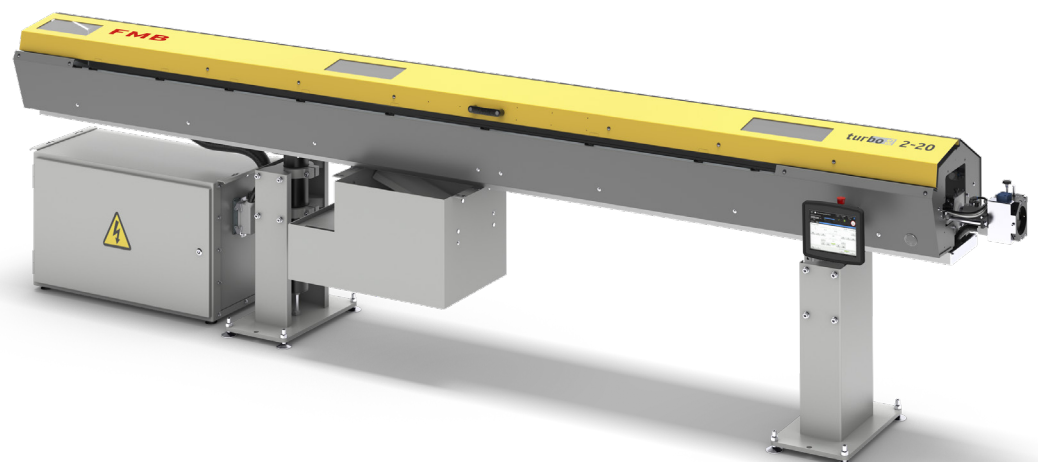
- Modern touch control with a generous 8.4" screen allows for an intuitive operating concept for a faster learning phase.
- Integrated assistant function for guided set up for untrained users.

Efficient and practice-oriented handling ...

- Fast and easy replacement of inserts makes the efficient adaption of the guide channel to different material diameters possible.
- Automatic detection of the lathe's operating mode (fixed/sliding headstock turning). Retrofitting work on the bar feeder is no longer necessary and commissioning is simplified.

Stable design ...

- The torsion-resistant machine base made of extruded aluminium forms the solid base and in combination with inserts made of plastic guarantees the highest vibration dampening.

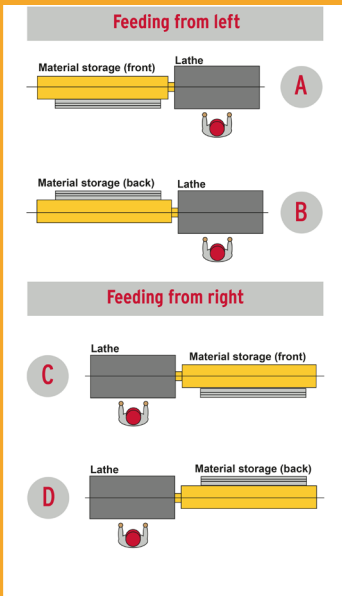


turbo RS 2-20

The bar feeder for bar diameters ranging from 2 mm to 23 mm

Technical data

Loading possibilities



	Unit	turbo RS 2 - 20			
Ø Pusher (max.)	mm	23			
Bar length ¹⁾	mm	2200	3200	4200	
Ø material bar (min. - max.)	mm	2 - 23			
Loading capacity	mm	235			
Loading capacity (min. Ø/max. Ø)	pieces	117 with 2 mm/10 with 23 mm			
Remnant length (max.)	mm	420			
Loading time*	s	-	21	-	-
Feed speed	mm/s	0 - 750			
Reverse speed	mm/s	0 - 750			
Operating voltage (50/60 Hz)	V	3 x 190 - 480 ²⁾			
Power consumption	kW	1,5			
Compressed air supply	Mpa (bar)	0,6 (6)			
Weight without oil filling	kg	450	550	650	
Stroke lathe	mm	up to 400			

¹⁾ Special lengths upon request.

²⁾ Will be adjusted according to the lathe's specifications upon delivery.

* According to FMB norm cycle

Standardized series of capacity adjustment sets

Capacity adjustment sets ¹⁾	7	10	15	23	
Round D [mm]	2 - 7 ²⁾	3 - 10 ²⁾	8 - 15 ²⁾	12 - 23 ²⁾	
Hexagonal SW [mm]	3 - 4	3 - 7	7 - 11	11 - 18	
Square SW [mm]	2 - 3	3 - 6	6 - 9	9 - 15	

¹⁾ Intermediate sizes upon request. ²⁾ Maximum dimension can only be processed by turning the bar end.

